

SLED-DZ-M2/5-150



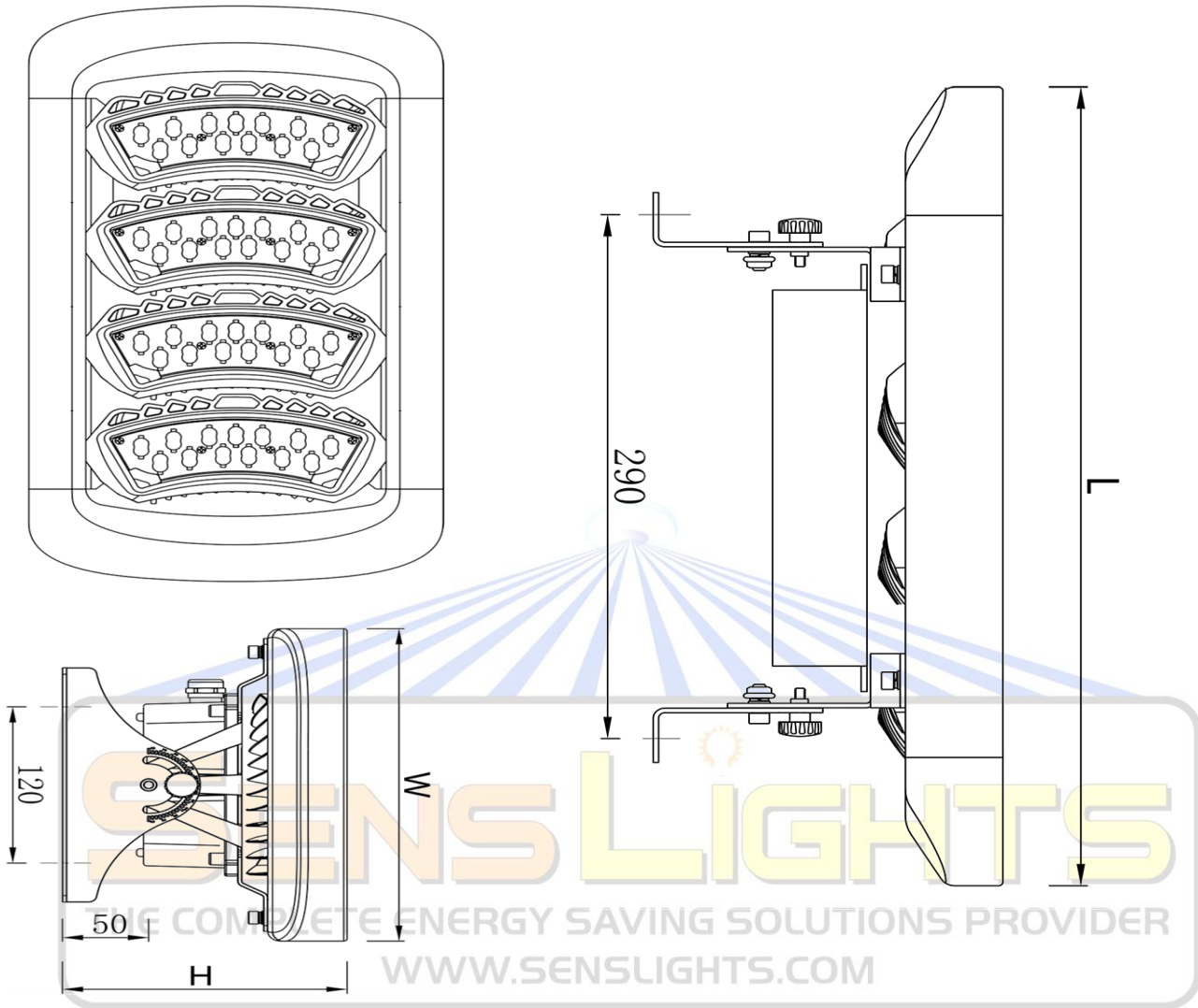
SENSLIGHTS
THE COMPLETE ENERGY SAVING SOLUTIONS PROVIDER
WWW.SENSLIGHTS.COM



www.senslights.com



Email: info@senslights.com



Product size

Model

SLED-SDZ-M2/2-60	SLED-DZ-M2/3-90	SLED-DZ-M2/4-120	SLED-DZ-M2/5-150
L=300mm	L=3600mm	L=425mm	L=510mm
W=240mm	W=240mm	W=240mm	W=240mm
H=165mm	H=165mm	H=165mm	H=165mm

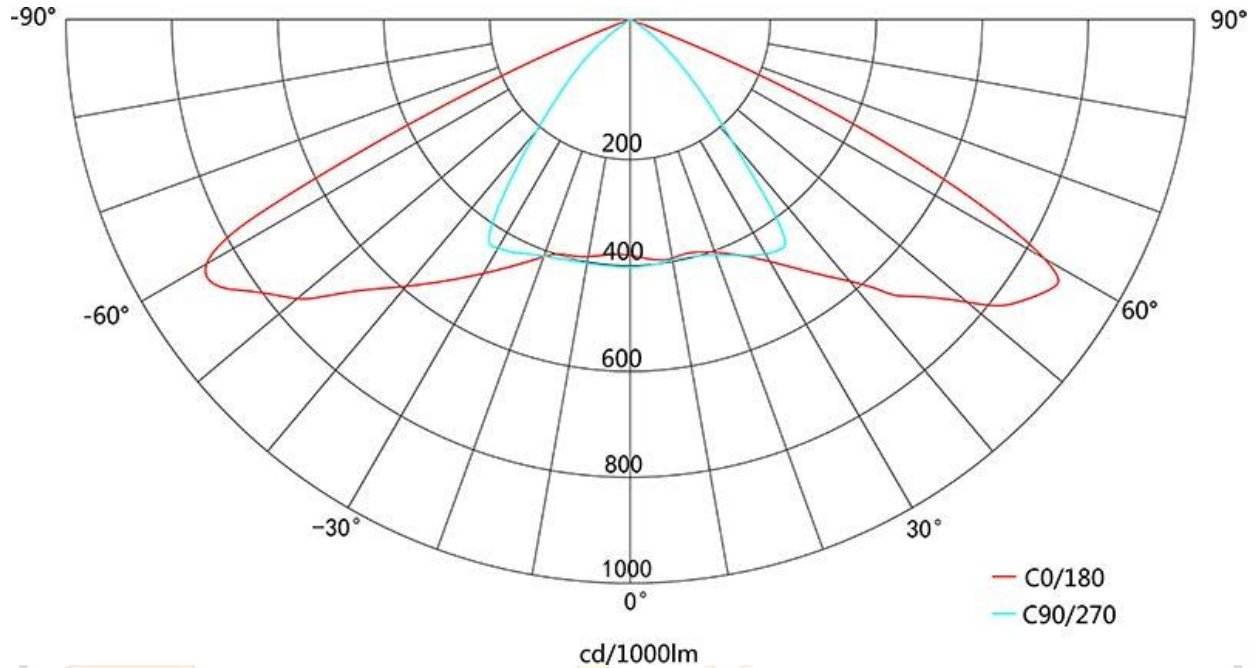


www.senslights.com



Email: info@senslights.com

Light distribution curve



Product characteristic:

** The whole lamp is composed of modules, electrical box, alloy profiles borders, and mounting bracket. Flexible combination of methods to meet the needs of different flux. Bracket is adjustable to $\pm 30^\circ$.

** Modules radiator design from ventilation of bionics vortex, the heat sink and fins forms a connected circle, to guide the convection air run through whole fins. Scattered and asymmetric arrangement designed of fins to intercept the flow of air and taken away the heat effectively. Modular combinations, effectively avoid the heat island effect, and with high pressure die-cast aluminum and magnesium alloy material, effectively improve the ability of heat dissipation, and ensure maximum shelf life of light source.

** Water-proof components use high quality anti-aging silicone rubber, which can keep good flexibility in the strong ultraviolet radiation.

** Decorative lighting module group, enabling rapid disassembly to replace monomer, to provide more convenient post-maintenance practices.



** The light source is seamless designed between the aluminum board and radiator through highly conductive medium, which can quickly pass the heat to the air via radiator, highly control the temperature of LED, so improved the shelf life of light resource effectively.

** Photo-electricity is split-standing heat dissipation, so the heat between them to ensure that does not affect each other, thereby increasing the shelf life of power.

** Light source: Using international top LED chips, it has high luminous efficiency, long shelf life, excellent color rendering.

** Application: tunnel lighting.

Technical parameters:

The lamp type voltage rated power factor flux temperature Ra

AC85-265V 60W 5400Lm 0.90 5000K SLED-SDZ-M2/2-60 > 75

AC85-265V 90W 8500Lm 0.92 5000K SLED-SDZ-M2/3-90 > 75

AC85-265V 120W 12000Lm 0.95 5000K SLED-SDZ-M2/4-120 > 75

AC85-265V 150W 14800Lm 0.95 5000K SLED-SDZ-M2/5-150 > 75

Protection level: IP65

Electrical safety grade: Class II

Source: SensLights kr / CREE / PHILIPS brand /OSRAM

Working environment temperature: -25, +60

SENSLIGHTS
THE COMPLETE ENERGY SAVING SOLUTIONS PROVIDER
WWW.SENSLIGHTS.COM



www.senslights.com



Email: info@senslights.com